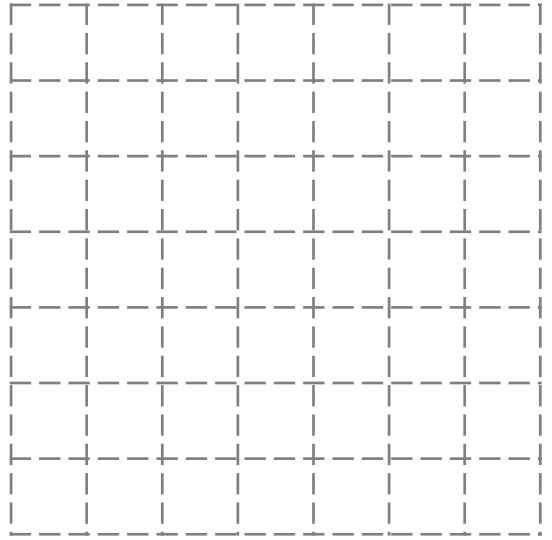
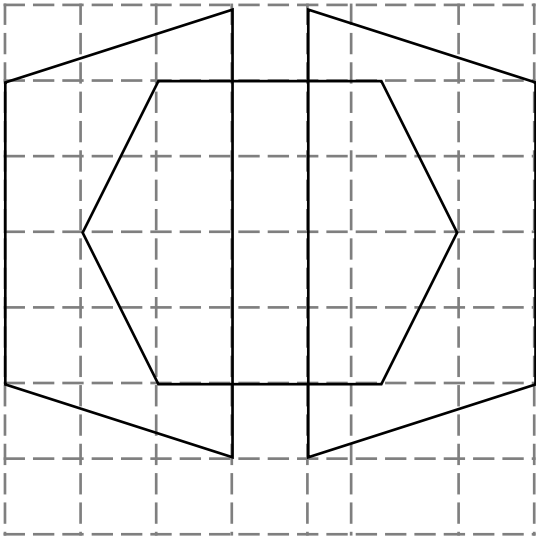


Name:


1. Copy the figure on the left into the grid on the right..

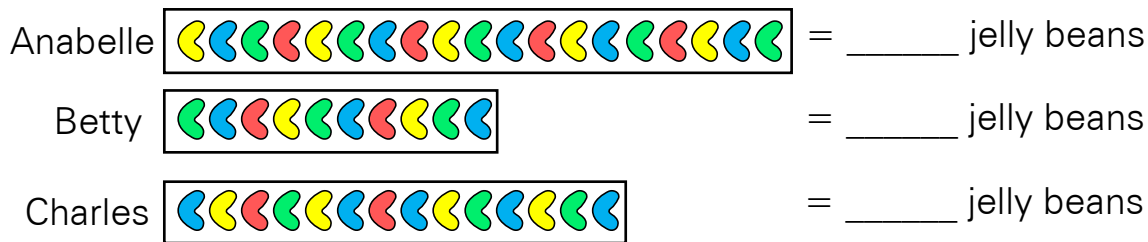


2. Fill in the boxes with the numbers given below so that each equation is true. Each number can only be used once.

30 25 10 35 15

45	+		-		=	50
+		-		+		
	-		+		=	40
=		=		=		
60		20		60		

3. Anabelle, Betty and Charles had a jelly bean eating competition. The model below shows the number of jelly beans they ate. Each  represents 5 jelly beans.

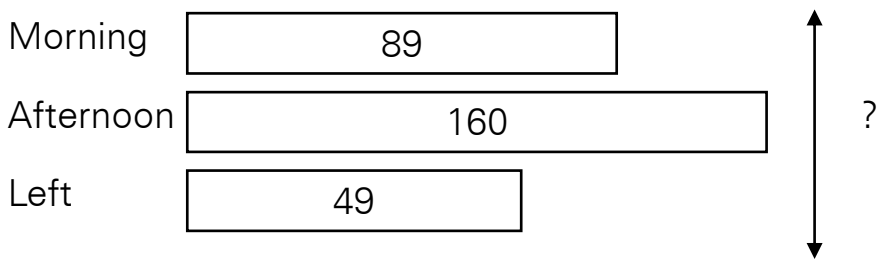


Anabelle ate _____ more jelly beans than Betty.

Charles ate _____ less jelly beans than Anabelle.

The three children ate a total of _____ jelly beans.

4. Mary sewed some purses to sell in the flea market. She sold 89 purses in the morning and 160 purses in the afternoon. After that she had 49 purses left. How many purses did Mary sew altogether?

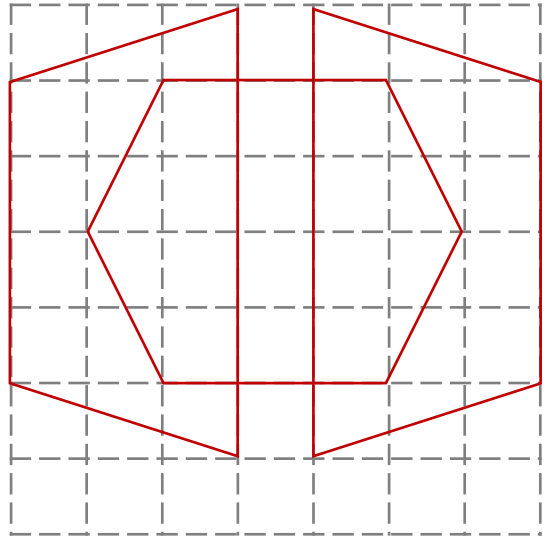
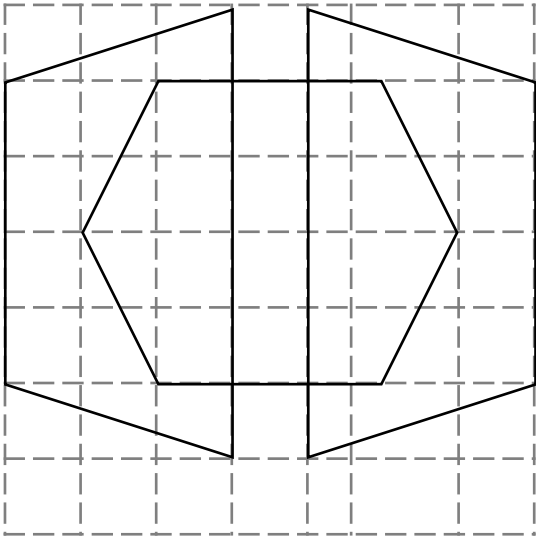


Mary sewed _____ purses altogether.

Name:

ANSWERS


1. Copy the figure on the left into the grid on the right..

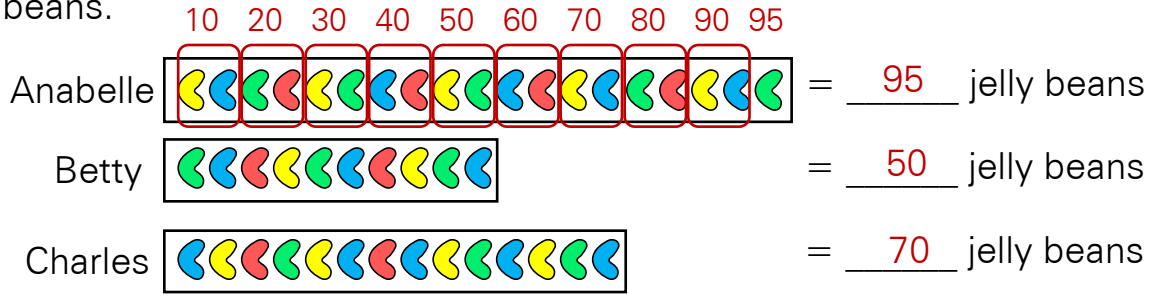


2. Fill in the boxes with the numbers given below so that each equation is true. Each number can only be used once.

30 25 10 35 15

45	+	30	-	25	=	50
+		-		+		
15	-	10	+	35	=	40
=		=		=		
60		20		60		

3. Anabelle, Betty and Charles had a jelly bean eating competition. The model below shows the number of jelly beans they ate. Each  represents 5 jelly beans.

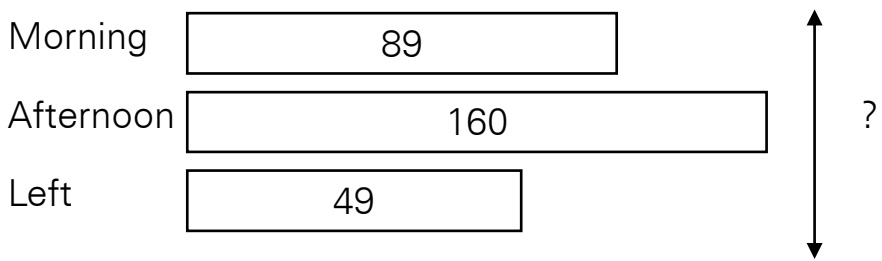


Anabelle ate 45 more jelly beans than Betty. $95 - 50 = 45$

Charles ate 25 less jelly beans than Anabelle. $95 - 70 = 25$

The three children ate a total of 215 jelly beans. $95 + 50 = 145$
 $145 + 70 = 215$

4. Mary sewed some purses to sell in the flea market. She sold 89 purses in the morning and 160 purses in the afternoon. After that she had 49 purses left. How many purses did Mary sew altogether?



$89 + 160 = 249$
 $249 + 49 = 298$

Mary sewed 298 purses altogether.